

NOTE:
Please read all instructions
carefully before using this
product

Table of Contents

Safety Notice

Hardware Identifier

Assembly Instruction

Parts List

Warranty

Ordering Parts

Model
SB 680

Retain This
Manual for
Reference

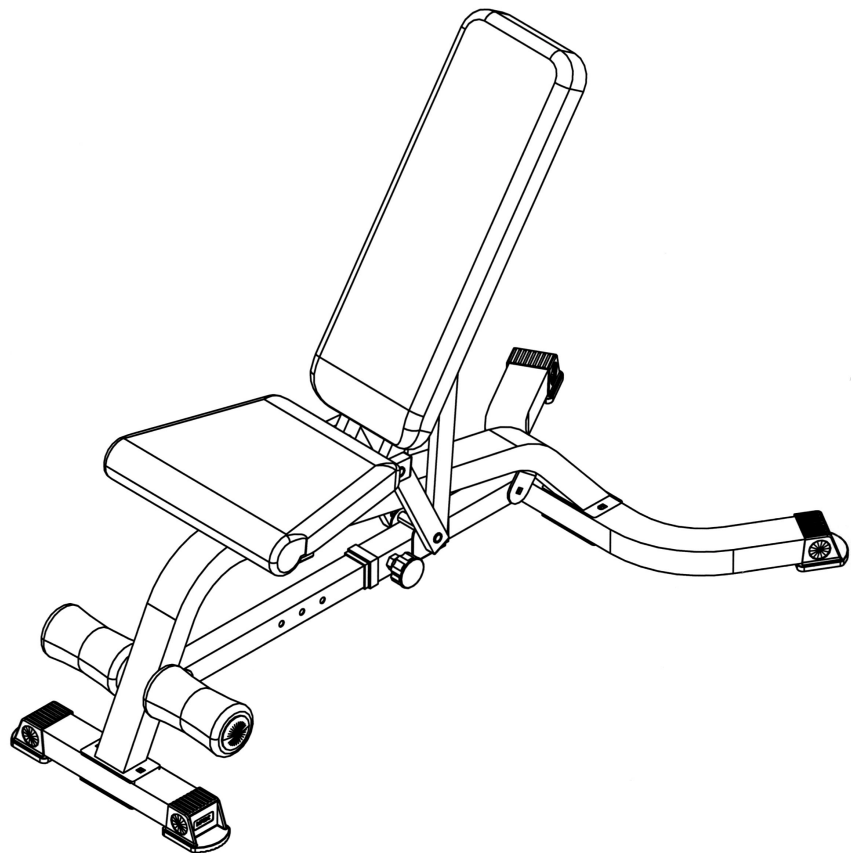
06-05-03

OWNER'S
MANUAL

IMPEx
FITNESS PRODUCTS

POWERHOUSE MULTI PURPOSE FID BENCH

SB 680



IMPEx FITNESS PRODUCTS

14777 DON JULIAN RD., CITY OF INDUSTRY, CA 91746

Tel: (800) 999-8899 Fax: (626) 961-9966

www.impex-fitness.com

info@impex-fitness.com

TABLE OF CONTENTS

BEFORE YOU BEGIN.....	1
IMPORTANT SAFETY NOTICES.....	2
HARDWARE PACK.....	3
ASSEMBLY INSTRUCTIONS.....	4
EXPLODED DIAGRAM.....	8
PARTS LIST.....	9
WARRANTY.....	10
ORDERING PARTS.....	10

BEFORE YOU BEGIN

Thank you for selecting the Powerhouse Multi Purpose Bench SB680 by IMPEX FITNESS PRODUCTS. For your safety and benefit, read this manual carefully before using the machine. As a manufacturer, we are committed to provide you complete customer satisfaction. If you have any questions, or find there are missing or damaged parts, we guarantee you complete satisfaction through direct assistance from our factory. To avoid unnecessary delays, *please call our TOLL-FREE customer service number.* Our Customer Service Agents will provide immediate assistance to you.

Toll-Free Customer Service Number

1-800-999-8899

Mon. - Fri. 9 a.m. - 5 p.m. PST

www.impex-fitness.com

info@impex-fitness.com

IMPORTANT SAFETY NOTICE

PRECAUTIONS

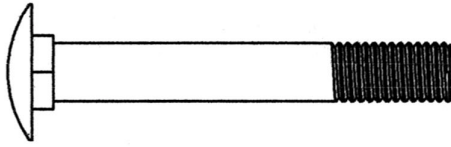
This exercise machine is built for optimum safety. However, certain precautions apply whenever you operate a piece of exercise equipment. Be sure to read the entire manual before you assemble or operate your machine. In particular, note the following safety precautions:

1. **Keep children and pets away from the machine at all times. DO NOT leave children unattended in the same room with the machine.**
2. Only one person at a time should use the machine.
3. If the user experiences dizziness, nausea, chest pain, or any other abnormal symptoms, STOP the workout at once. CONSULT A PHYSICIAN IMMEDIATELY.
4. Position the machine on a clear, leveled surface. DO NOT use the machine near water or outdoors.
5. Keep hands away from all moving parts.
6. Always wear appropriate workout clothing when exercising. DO NOT wear robes or other clothing that could become caught in the machine. Running or aerobic shoes are also required when using the machine.
7. Use the machine only for its intended use as described in this manual. DO NOT use attachments not recommended by the manufacturer.
8. Do not place any sharp object around the machine.
9. Disabled person should not use the machine without a qualified person or physician in attendance.
10. Before using the machine to exercise, always do stretching exercises to properly warm up.
11. Never operate the machine if the machine is not functioning properly.

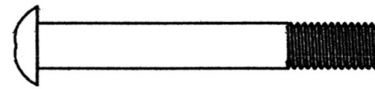
WARNING: BEFORE BEGINNING ANY EXERCISE PROGRAM, CONSULT YOUR PHYSICIAN. THIS IS ESPECIALLY IMPORTANT FOR INDIVIDUALS OVER THE AGE OF 35 OR PERSONS WITH PRE-EXISTING HEALTH PROBLEMS. READ ALL INSTRUCTIONS BEFORE USING ANY FITNESS EQUIPMENT. IMPEX INC. ASSUMES NO RESPONSIBILITY FOR PERSONAL INJURY OR PROPERTY DAMAGE SUSTAINED BY OR THROUGH THE USE OF THIS PRODUCT.

SAVE THESE INSTRUCTIONS.

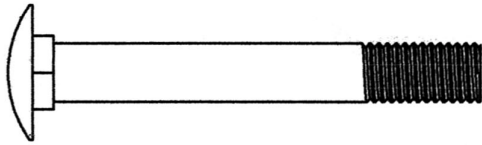
HARDWARE PACK



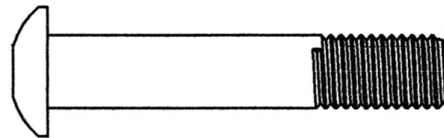
#22 M10 x 2 1/2" Carriage Bolt
(Qty 2)



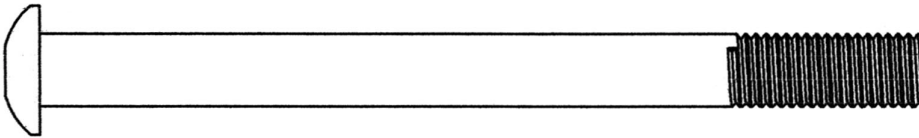
#23 M8 x 2" Allen Bolt
(Qty 8)



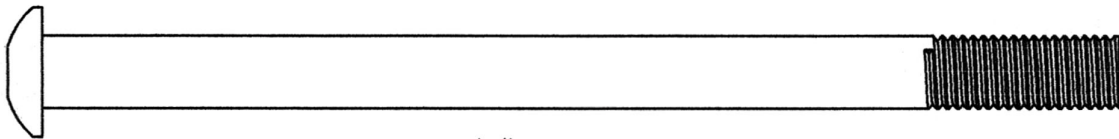
#21 M10 x 2 3/4" Carriage Bolt
(Qty 4)



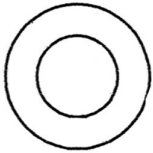
#20 M12 x 2 1/2" Allen Bolt
(Qty 2)



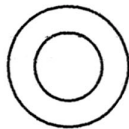
#19 M12 x 5 3/4" Allen Bolt
(Qty 1)



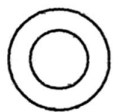
#18 M12 x 7 5/8" Allen Bolt
(Qty 1)



#25 Ø 1" Washer
(Qty 8)



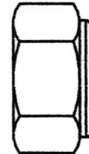
#27 Ø 3/4" Washer
(Qty 6)



#24 Ø 5/8" Washer
(Qty 8)

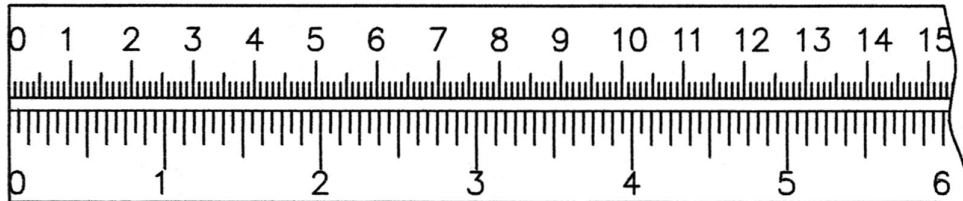


#28 M10 Aircraft Nut
(Qty 6)



#26 M12 Aircraft Nut
(Qty 4)

mm



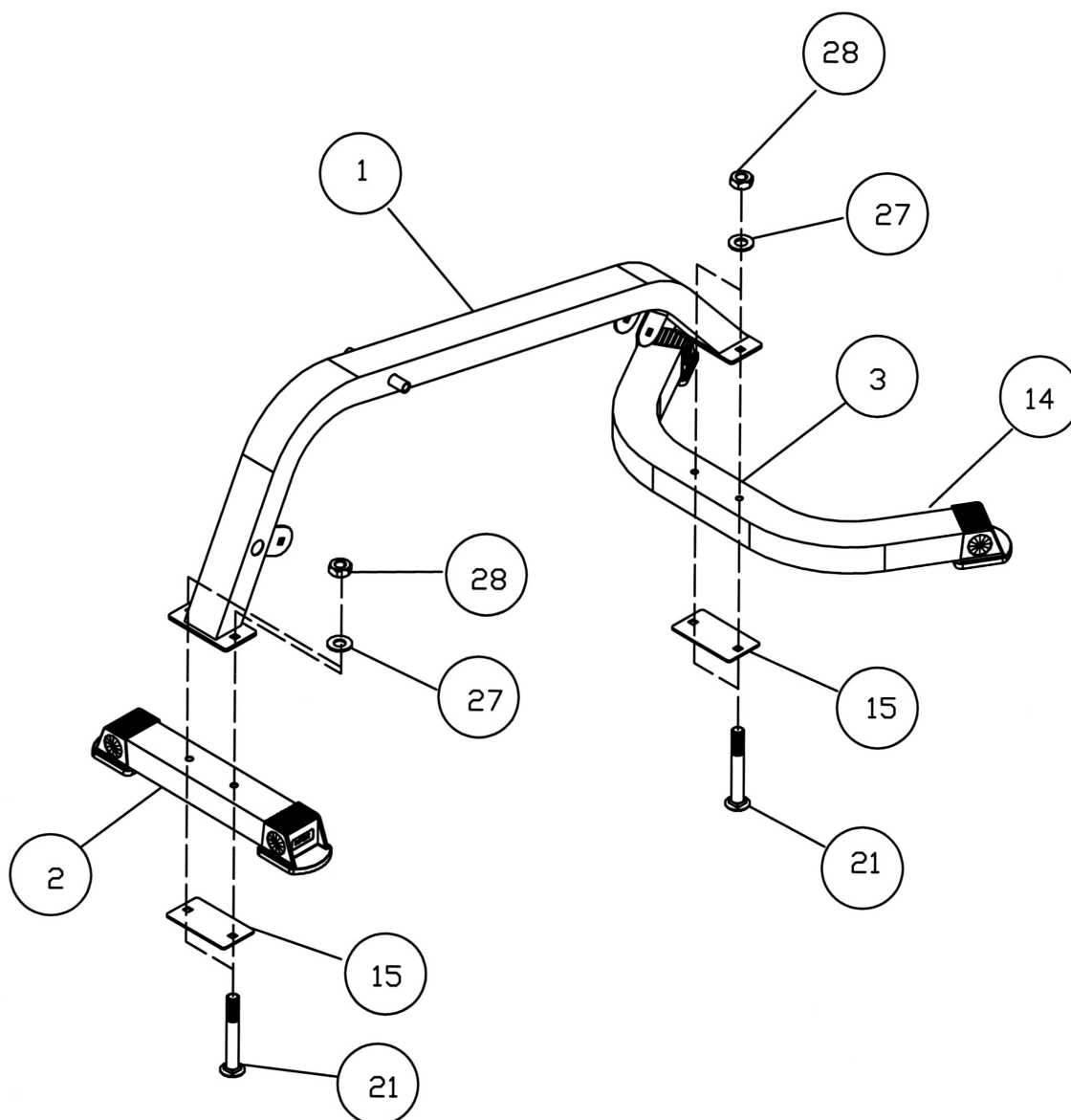
ASSEMBLY INSTRUCTION

Tools Required Assembling the Machine: Two Adjustable Wrenches and Allen Wrenches. NOTE: It is strongly recommended this machine be assembled by two or more people to avoid possible injury.

STEP 1 (See Diagram 1)

- A.) Attach the Main Frame (#1) to the Front Stabilizer (#2). Secure it with two M10 x 2 3/4" Carriage Bolts (#21), one Bracket (#15), two Ø 3/4" Washers (#27), and two M10 Aircraft Nuts (#28).
- B.) Attach the Main Frame (#1) to the Rear Stabilizer (#3). Secure it with two M10 x 2 3/4" Carriage Bolts (#21), one Bracket (#15), two Ø 3/4" Washers (#27), and two M10 Aircraft Nuts (#28).

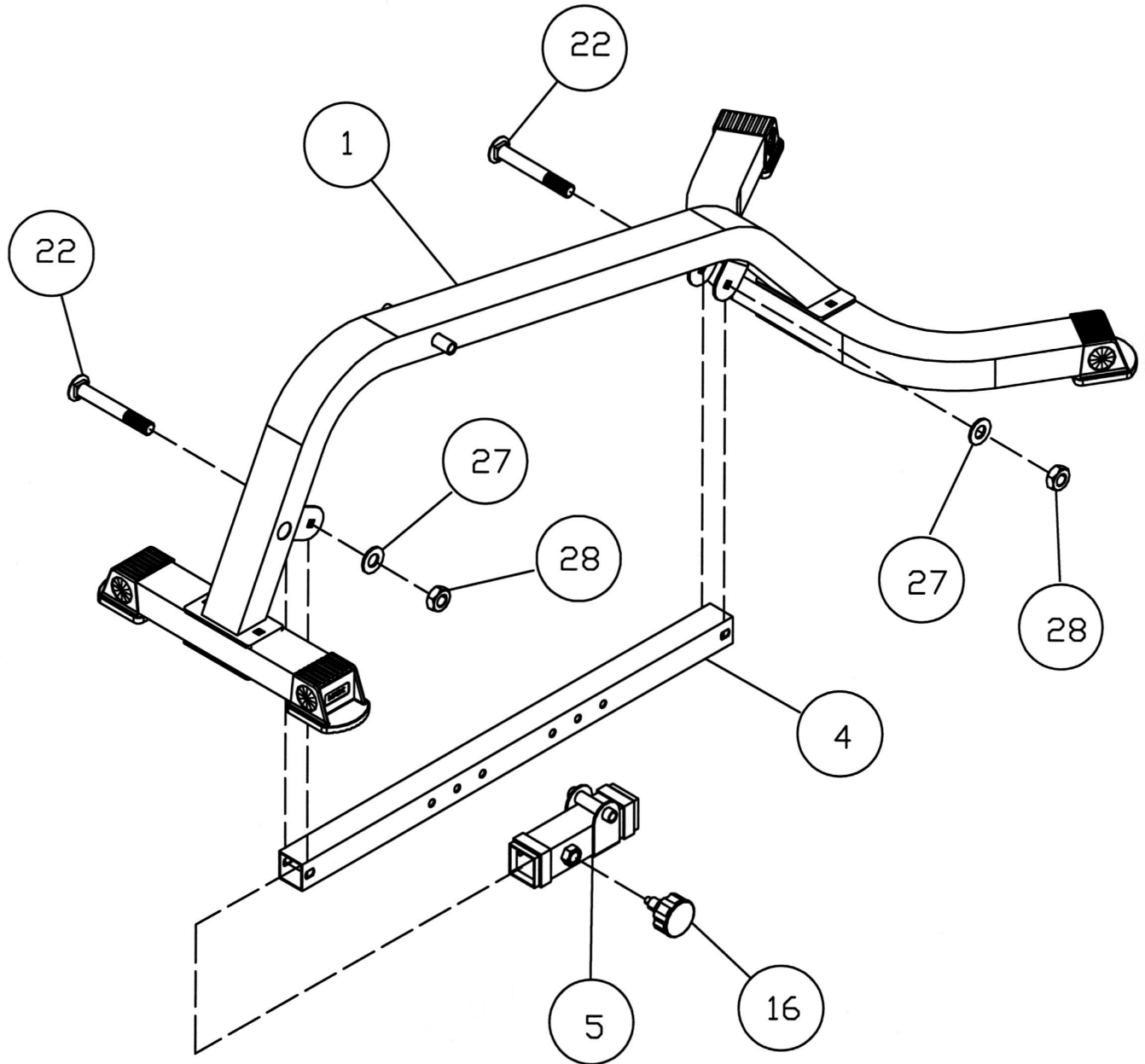
DIAGRAM 1



STEP 2 (See Diagram 2)

- A.) Slide the Sliding Block (#5) onto the Incline Adjustment Bar (#4).
- B.) Attach both ends of Incline Adjustment Bar to the open brackets on the Main Frame (#1). Secure each end with one M10 x 2 1/2" Carriage Bolt (#22), Ø 3/4" Washer (#27), and M10 Aircraft Nut (#28).
- C.) Use a Lock Knob (#16) to lock the desired incline position.

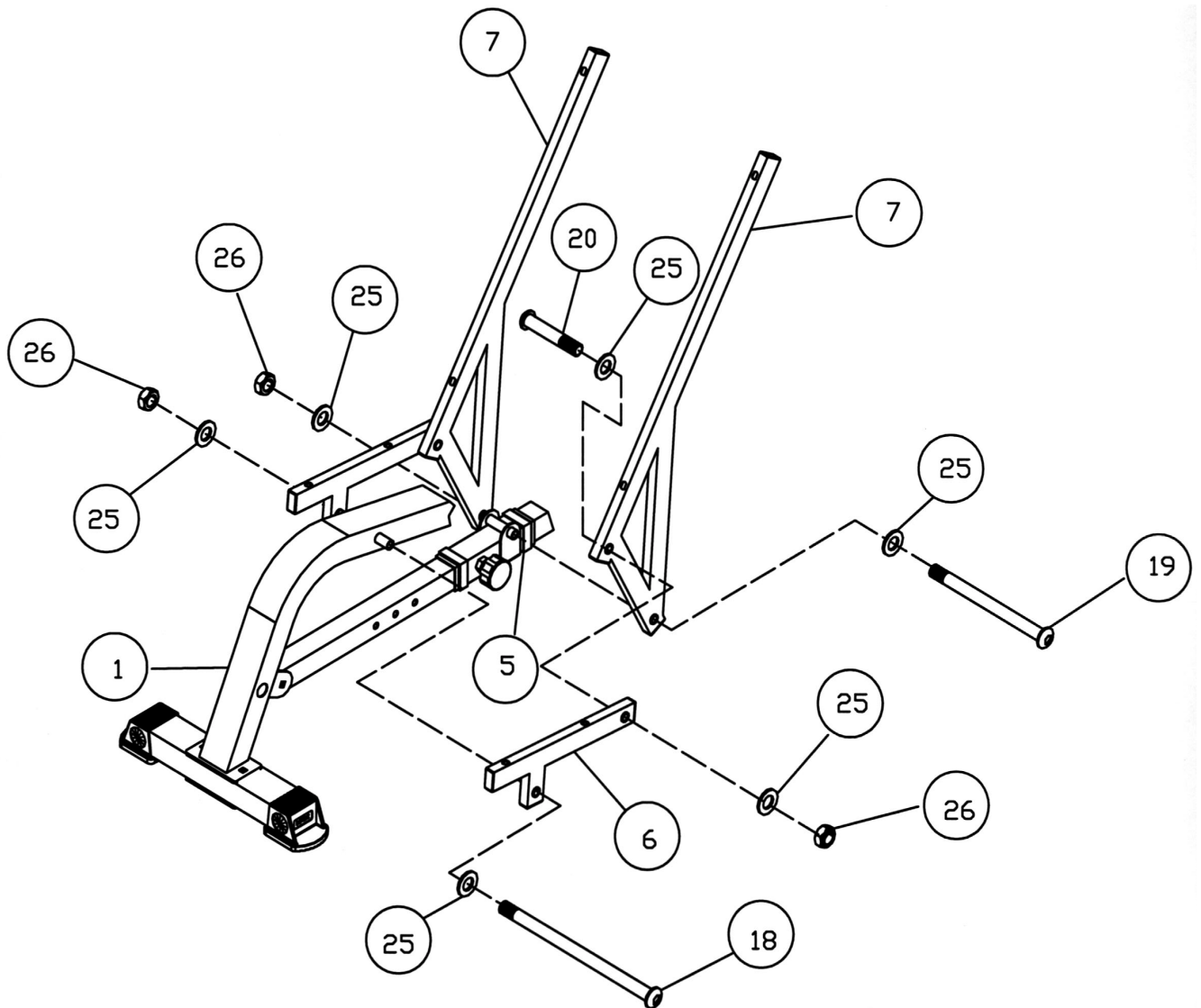
DIAGRAM 2



STEP 3 (See Diagram 3)

- A.) Attach the lower holes on the Backrest Supports (#7) to the pivot on the Sliding Block (#5). Secure them with one M12 x 5 3/4" Allen Bolt (#19), two Ø 1" Washers (#25), and one M12 Aircraft Nut (#26).
- B.) Attach the Seat Support Frame (#6) to the hole on the Backrest Support (#7). Make sure the Seat Support Frame is on the outside of the Backrest Support. Align the holes and secure them with one M12 x 2 1/2" Allen Bolt (#20), two Ø 1" Washers (#25), and one M12 Aircraft Nut (#26). Repeat the same step to install the other side. Note: The Bolt must be inserted from inside of Backrest Support to the outside of the Seat Support Frame.
- C.) Loosen up the Knob Bolt on the Sliding Track to adjust the position so the front end of the two Seat Support Frames (#6) can be aligned to the pivot on the Main Base Frame (#1). Secure them with one M12 x 7 5/8" Allen Bolt (#18), two Ø 1" Washers (#25), and one M12 Aircraft Nut (#26).

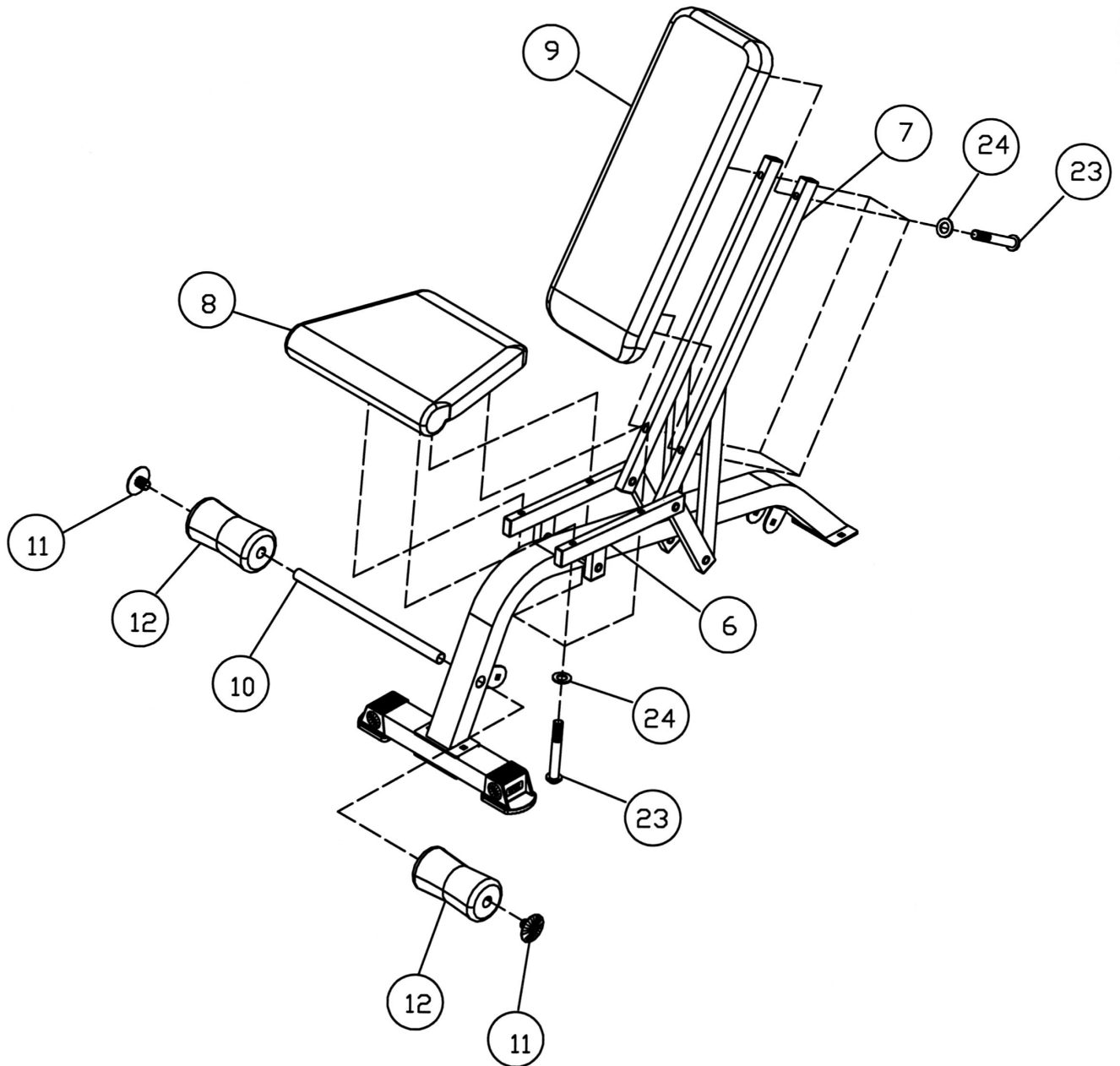
DIAGRAM 3



STEP 4 (See Diagram 4)

- A.) Insert the Foam Tube (#10) halfway through the hole on the Main Frame (#1). Push two Foam Rolls (#12) onto the Foam Tube from both ends. Plug the Foam Roll End Caps (#11) into the ends.
- B.) Place the Seat (#8) onto the Seat Support Frames (#6). Secure it with four M8 x 2" Allen Bolts (#23) and \varnothing 5/8" Washers (#24).
- C.) Place the Backrest Board (#9) onto the Backrest Supports (#7). Secure it with four M8 x 2" Allen Bolts (#23) and \varnothing 5/8" Washers (#24).

DIAGRAM 4



PARTS LIST
KEY NO.

KEY NO.	DESCRIPTION	Q'ty
1	Main Frame	1
2	Front Stabilizer	1
3	Rear Stabilizer	1
4	Incline Adjustment Bar	1
5	Sliding Block	1
6	Seat Support Frame	2
7	Backrest Support	2
8	Seat	1
9	Backrest Board	1
10	Foam Tube	1
11	Foam Roll End Cap	2
12	Foam Roll	2
13	Sliding Block Sleeve	2
14	2 ¾" x 2" End Cap	4
15	Bracket	2
16	Lock Knob	1
17	1 5/8" x ¾" End Cap	12
18	M12 x 7 5/8" Allen Bolt	1
19	M12 x 5 ¾" Allen Bolt	1
20	M12 x 2 ½" Allen Bolt	2
21	M10 x 2 ¾" Carriage Bolt	4
22	M10 x 2 ½" Carriage Bolt	2
23	M8 x 2" Allen Bolt	8
24	Ø 5/8" Washer	8
25	Ø 1" Washer	8
26	M12 Aircraft Nut	4
27	Ø ¾" Washer	6
28	M10 Aircraft Nut	6
	#8 Allen Wrench (Tool)	1
	#5 Allen Wrench (Tool)	1

IMPEX INC.

LIMITED WARRANTY

IMPEX Inc. ("IMPEX") warrants this product to be free from defects in workmanship and material, under normal use and service conditions, for a period of two years on the Frame from the date of purchase. This warranty extends only to the original purchaser. IMPEX's obligation under this Warranty is limited to replacing or repairing, at IMPEX's option.

All returns must be pre-authorized by IMPEX. Pre-authorization may be obtained by calling IMPEX Customer Service Department at 1-800-999-8899. All freights on products returned to IMPEX must be prepaid by the customer. This warranty does not extend to any product or damage to a product caused by or attributable to freight damage, abuse, misuse, improper or abnormal usage or repairs not provided by an IMPEX authorized service center or for products used for commercial or rental purposes. No other warranty beyond that specifically set forth above is authorized by IMPEX.

IMPEX is not responsible or liable for indirect, special or consequential damages arising out of or in connection with the use or performance of the product or other damages with respect to any economic loss, loss of property, loss of revenues or profits, loss of enjoyments or use, costs of removal, installation or other consequential damages or whatsoever natures. Some states do not allow the exclusion or limitation of incidental or consequential damages. Accordingly, the above limitation may not apply to you.

The warranty extended hereunder is in lieu of any and all other warranties and any implied warranties of merchantability or fitness for a particular purpose is limited in its scope and duration to the terms set forth herein. Some states do not allow limitations on how long an implied warranty lasts. Accordingly, the above limitation may not apply to you.

This warranty gives you specific legal right. You may also have other rights which vary from state to state. Register on-line at www.impex-fitness.com

IMPEX INC.
14777 Don Julian
City of Industry, CA 91746

ORDERING REPLACEMENT PARTS

Replacement parts can be ordered by calling our Customer Service Department toll-free at **1-800-999-8899** during our regular business hours: Monday through Friday, 9 am until 5 pm Pacific standard time.
info@impex-fitness.com

When ordering replacement parts, always give the following information.

1. Model
2. Description of Parts
3. Part Number
4. Date of Purchase